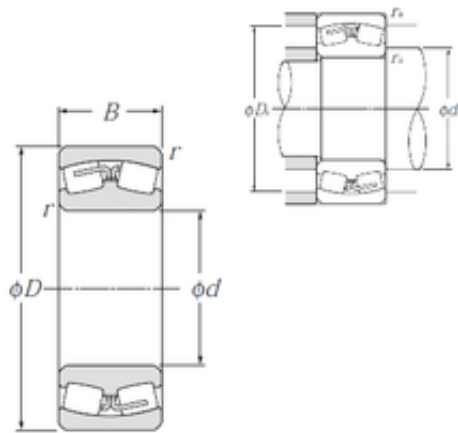


## 800 mm x 1 280 mm x 375 mm NTN 231/800B Spherical Roller Bearings



Bearing No. 231/800B

Size	800x1280x375 mm
Bore Diameter	800 mm
Outer Diameter	1280 mm
Width	375 mm
d	800 mm
D	1 280 mm
B	375 mm
C	375 mm
r min.	9,5 mm
da min.	844 mm
Da max.	1 236 mm
ra max.	8 mm
Weight	1 890 Kg
Basic dynamic load rating (C)	14 400 kN
Basic static load rating (C0)	31 000 kN
(Grease) Lubrication Speed	180 r/min
(Oil) Lubrication Speed	240 r/min
Calculation factor (e)	0,29
Calculation factor (Y0)	2,27
Calculation factor (Y1)	2,32

231/800B Bearing 2D drawings and 3D CAD models