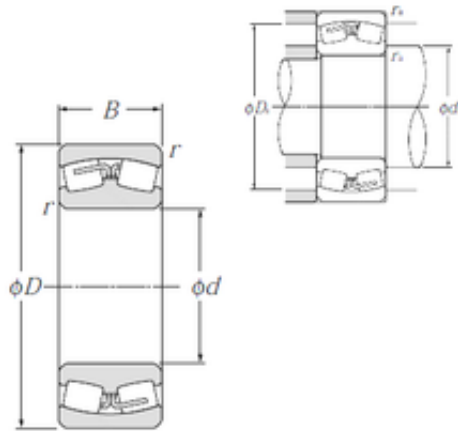


## 710 mm x 950 mm x 180 mm NTN 239/710 Spherical Roller Bearings



Bearing No. 239/710

Size	710x950x180 mm
Bore Diameter	710 mm
Outer Diameter	950 mm
Width	180 mm
d	710 mm
D	950 mm
B	180 mm
C	180 mm
r min.	6 mm
da min.	738 mm
Da max.	922 mm
ra max.	5 mm
Weight	375 Kg
Basic dynamic load rating (C)	4 450 kN
Basic static load rating (C0)	11 500 kN
(Grease) Lubrication Speed	280 r/min
(Oil) Lubrication Speed	370 r/min
Calculation factor (e)	0,18
Calculation factor (Y0)	3,76
Calculation factor (Y1)	3,85

239/710 Bearing 2D drawings and 3D CAD models