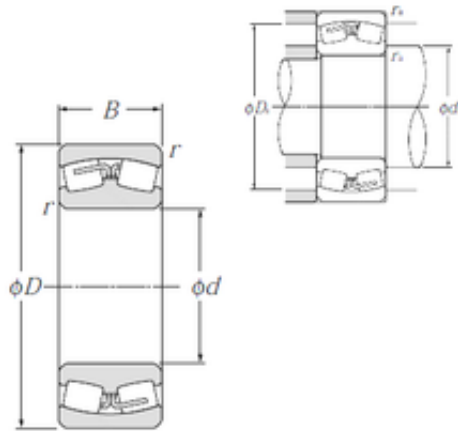


## 180 mm x 280 mm x 100 mm NTN 24036C Spherical Roller Bearings



Bearing No. 24036C

|                               |                |
|-------------------------------|----------------|
| Size                          | 180x280x100 mm |
| Bore Diameter                 | 180 mm         |
| Outer Diameter                | 280 mm         |
| Width                         | 100 mm         |
| d                             | 180 mm         |
| D                             | 280 mm         |
| B                             | 100 mm         |
| C                             | 100 mm         |
| r min.                        | 2,1 mm         |
| da min.                       | 192 mm         |
| Da max.                       | 268 mm         |
| ra max.                       | 2 mm           |
| Weight                        | 23 Kg          |
| Basic dynamic load rating (C) | 965 kN         |
| Basic static load rating (C0) | 1 770 kN       |
| (Grease) Lubrication Speed    | 1 200 r/min    |
| (Oil) Lubrication Speed       | 1 500 r/min    |
| Calculation factor (e)        | 0,33           |
| Calculation factor (Y0)       | 2              |
| Calculation factor (Y1)       | 2,04           |

24036C Bearing 2D drawings and 3D CAD models