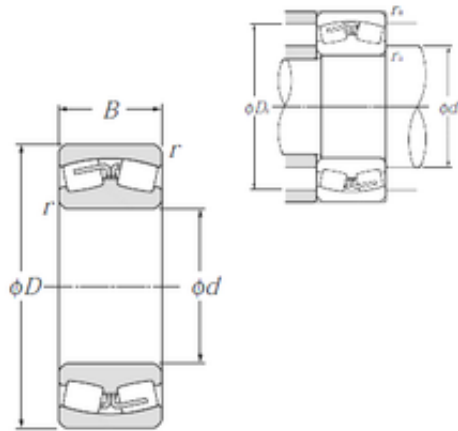


170 mm x 260 mm x 90 mm NTN 24034B Spherical Roller Bearings



Bearing No. 24034B

Size	170x260x90 mm
Bore Diameter	170 mm
Outer Diameter	260 mm
Width	90 mm
d	170 mm
D	260 mm
B	90 mm
C	90 mm
r min.	2,1 mm
da min.	182 mm
Da max.	248 mm
ra max.	2 mm
Weight	17,7 Kg
Basic dynamic load rating (C)	800 kN
Basic static load rating (C0)	1 470 kN
(Grease) Lubrication Speed	1 200 r/min
(Oil) Lubrication Speed	1 600 r/min
Calculation factor (e)	0,34
Calculation factor (Y0)	1,94
Calculation factor (Y1)	1,98

24034B Bearing 2D drawings and 3D CAD models